

**LED WALLMAX  
PRECISION WALL PACK**  
WP-WMP SERIES



**PRODUCT DESCRIPTION:**

A stunning blend of architectural design and performance, the Precision Wall Pack Series provides significantly more forward throw illumination than typical full cutoff fixtures, making it the perfect choice for locations requiring a premium appearance and exceptional light output. Designed to replace 175W to 400W metal halide fixtures, the series features a modular housing design that covers the footprint of traditional fixtures to provide a clean and uniform look throughout a project site. The fixture's angled window maximizes forward throw, and allows for motion sensor and photocontrol placement that minimizes light interference. Emergency battery backup is available to comply with NFPA standards.

Providing 77 percent in energy savings alone, the Precision Wall Pack may qualify for significant utility rebates, for a lightning-quick ROI.

**FEATURES:**

- Replaces up to 400W MH equivalent
- Up to 100,000 hour L70 lifetime, TM-21 standards @ 25°C
- Heavy-duty die-cast aluminum polyester housing
- Powder coated to be rust and corrosion proof
- High-quality shatter-resistant glass
- Sealed fixture is dirt and bug free
- 0-10V dimming driver standard
- Emergency backup option available
- Multiple conduits for easy wiring
- Architectural design with angled window for motion sensor and photocontrol placement
- LM-79/LM-80 data available
- 5-year Limited Warranty

**CONTROLS:**

**120-277VAC Photocontrol:** Universal voltage photocontrol powers the fixture when light levels reach 20 lux or below, and turn it off at 30 lux or higher. The operating temperature of the photocontrols are -40°F - 140°F.

**Motion/Daylight Sensor:** 1-10V microwave-based motion sensor with integral photocontrol, allowing for three output states: 100%; 5/10/20/30% output; or 0% output. Detection area, hold time, daylight threshold, and dimming levels all have DIP switches. At its maximum mounting height of 16 feet, the sensor can detect motion up to 26 feet away. Sensor mounted internally.

**DIMENSIONS:**

See dimensions on page 3.

**PHOTMETRICS:**

All .ies files available online. Please see page 4 for iso-footcandle layouts.

MODEL SELECTION (Full list of order codes on pg. 2)		Typical order example: WP-WMP30UT2-50B					
<b>WP-WMP</b>			<b>T2</b>	-	<b>50</b>	<b>B</b>	
<b>FAMILY</b>	<b>NOMINAL WATTAGE, EQUIVALENCY</b>	<b>VOLTAGE</b>	<b>DISTRIBUTION</b>	-	<b>CCT</b>	<b>FINISH</b>	<b>OPTIONS</b>
<b>WP-WMP=</b> Wall Max Precision	<b>30=</b> 30W, 175W MH equivalent <b>60=</b> 60W, 250W MH equivalent <b>90=</b> 90W, 400W MH equivalent	<b>U=</b> 120-277V, std. <b>H=</b> 347-480V	<b>T2=</b> Type II	-	<b>50=</b> 5000K	<b>B=</b> Bronze	<b>(Omit)=</b> None <b>MS2=</b> Daylight/Motion Sensor <b>PC=</b> 120-277V Photocontrol <b>EM=</b> Battery Backup

### SPECIFICATIONS:

ITEM	SPECIFICATION	WP-WMP30	WP-WMP60	WP-WMP90
		30 WATTS - DETAILS	60 WATTAS - DETAILS	90 WATTS - DETAILS
<b>GENERAL PERFORMANCE</b>	Input Power (W)	32	59	85
	Lumens Delivered (lm)	3035	5855	8600
	Efficacy (lm/W)	97	102	102
	CRI	≥75		
	Lumen Maintenance (L70, TM-21 @ 25°C)	>100,000 hours		
	Color Temperature	5000K		
	Spacing Criteria	Available upon request		
<b>ELECTRICAL</b>	Input Voltage	120-277V standard, 347-480V available		
	Power Factor	> 90%		
<b>PHYSICAL</b>	Housing	Die-cast polyester aluminum		
	Mounting	Fits electrical box or mount directly		
<b>CERTIFICATION</b>	Certification	LM-79, LM-80, TM-21, cULus, DLC standard, FCC		
	Environment	Outdoor, wet location		
	Warranty	5 years		
	Operating Temperature	Standard: -40°F - 104°F (-40°C - 40°C)		
		Motion Sensor Models: -22°F - 104°F (-30°C - 40°C)		
		Battery Backup Models: 32°F - 104°F (0°C - 40°C)		
Humidity	5% - 95% RH, non condensing			

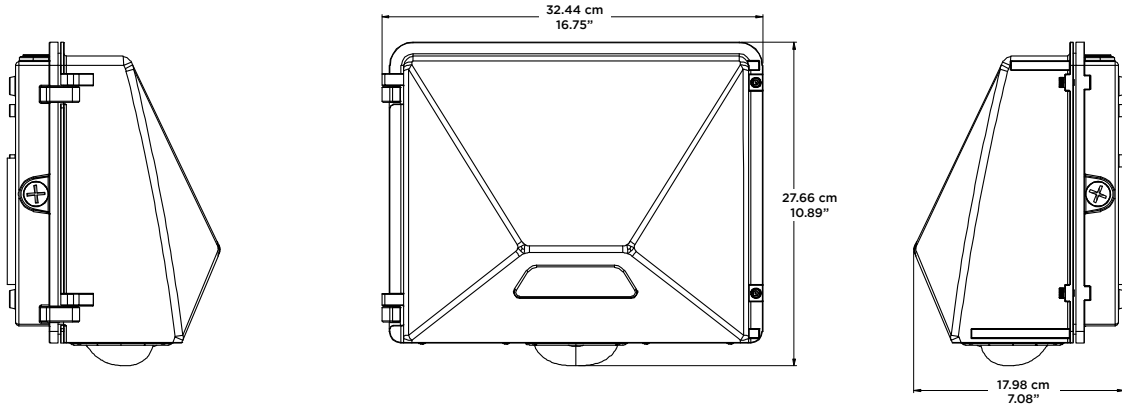
Lighting layouts and spacing criteria available upon request.

### ORDERING:

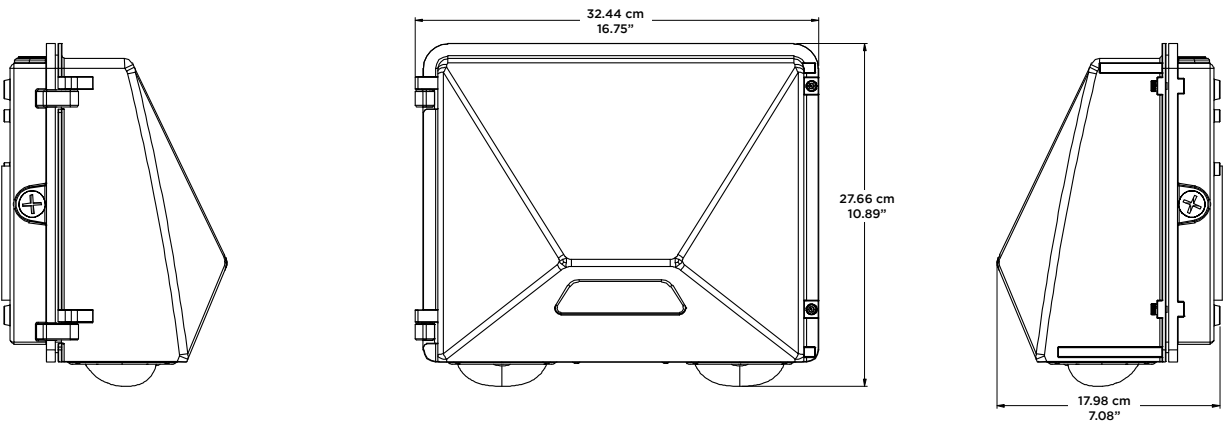
ORDER CODE	MODEL	CONTROLS	FINISH	VOLTAGE	WATTAGE	CCT
107109	WP-WMP30HT2-50B	None	Bronze	347-480V	30W	5000K
101373	WP-WMP30UT2-50B	None		120-277V		
107111	WP-WMP30UT2-50BEM	Battery Backup		120-277V		
107112	WP-WMP30UT2-50BMS2	Daylight/Motion Sensor		120-277V		
107115	WP-WMP30UT2-50BPC	120-277V Photocontrol		120-277V		
107117	WP-WMP60HT2-50B	None		347-480V	60W	
101374	WP-WMP60UT2-50B	None		120-277V		
107119	WP-WMP60UT2-50BEM	Battery Backup		120-277V		
107120	WP-WMP60UT2-50BMS2	Daylight/Motion Sensor		120-277V		
107123	WP-WMP60UT2-50BPC	120-277V Photocontrol		120-277V		
107125	WP-WMP90HT2-50B	None		347-480V	90W	
101375	WP-WMP90UT2-50B	None		120-277V		
107127	WP-WMP90UT2-50BEM	Battery Backup		120-277V		
107128	WP-WMP90UT2-50BMS2	Daylight/Motion Sensor	120-277V			
107131	WP-WMP90UT2-50BPC	120-277V Photocontrol	120-277V			

**DIMENSIONS:**

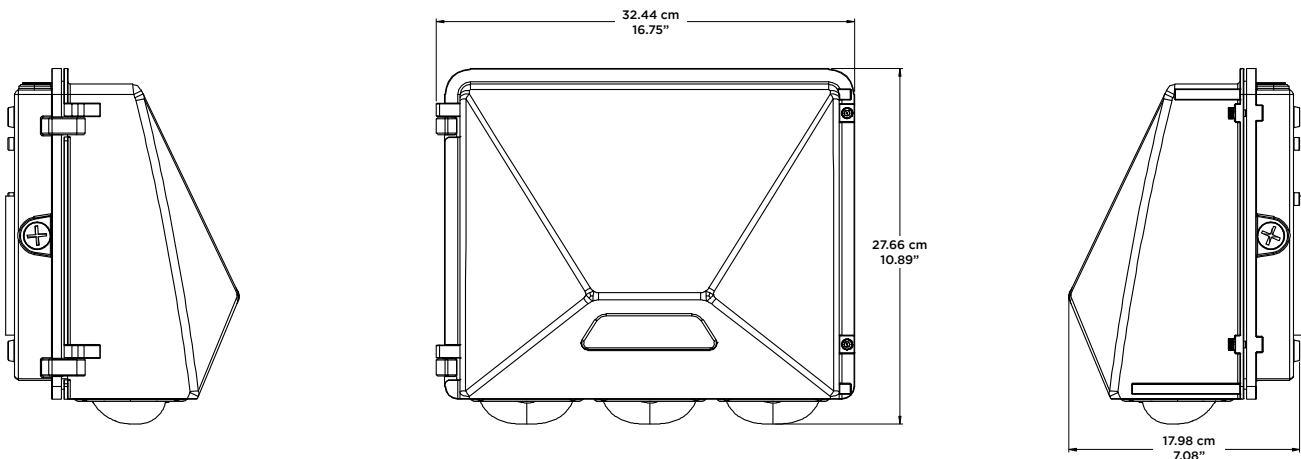
**30W**



**60W**

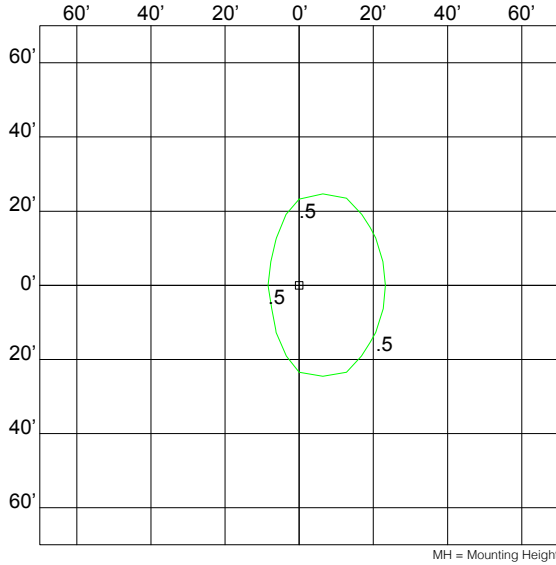


**90W**



**PHOTOMETRICS:**

**WP-WMP30UT2-50**



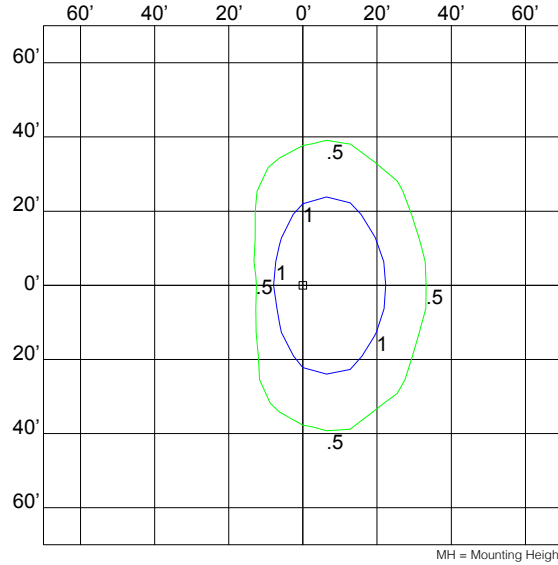
MH = Mounting Height

**WP-WMP30UT2-50**  
**3035 Lumens**  
**20' Mounting Height**

Foot-candle Correction Factor:

New Height:	20'	40'	60'	80'	100'
Multiply by:	1.23	1.00	0.83	0.64	0.44

**WP-WMP60UT2-50**



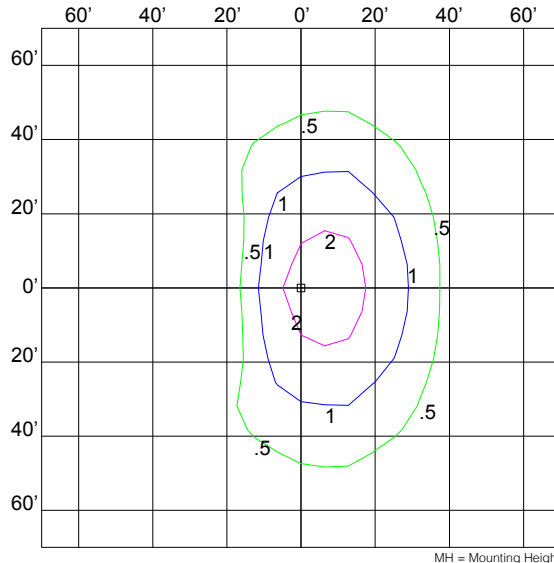
MH = Mounting Height

**WP-WMP60UT2-50**  
**5855 Lumens**  
**20' Mounting Height**

Foot-candle Correction Factor:

New Height:	20'	40'	60'	80'	100'
Multiply by:	1.23	1.00	0.83	0.64	0.44

**WP-WMP90UT2-50**



MH = Mounting Height

**WP-WMP90UT2-50**  
**8600 Lumens**  
**20' Mounting Height**

Foot-candle Correction Factor:

New Height:	20'	40'	60'	80'	100'
Multiply by:	1.23	1.00	0.83	0.64	0.44