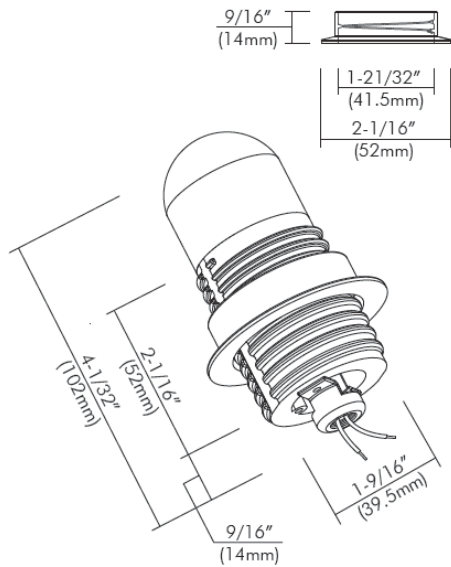


SOCKET SOURCE™ - LED LIGHT ENGINE
LESKTA SERIES



PRODUCT DESCRIPTION:

MaxLite's Socket Source™ is a unique, high CRI light engine solution that allows manufacturers to create LED-based multi-head bath bars, chandeliers and other decorative luminaires.

FEATURES:

- Easily integrates into new fixture construction same as standard E26 sockets
- Fully integrated LED light engine solution with integral diffuser and standard threading and holder to allow decorative glass attachment
- Connects directly to 120VAC
- Dimmable with standard INC (triac) dimmers down to 10%
- Beam Angle: 214°

CONSTRUCTION:

- Lens transmits high lumens with minimal light loss with a diffused finish for even illumination
- Metal and plastic conjugated molded heat sink with outer threads for easier installation in any lamp shade
- Provided with a 1/8" IPS threaded to fit on a 1/8-27 NPSM nipple or threaded pipe
- 6" lead wires for AC electrical connections.

IMPORTANT:

1. Only for use by OEM, fixture manufacturers only. NOT a retrofit product. MUST be operated with a heat sink attached.

MODEL SELECTION (Full list of order codes on pg. 2)		Typical order example: LESKTA0727C	
LESKTA	07		
FAMILY	WATTAGE	CCT	CRI
LESKTA= Socket Source™ Light Engine	07= 7W	27= 2700K 30= 3000K	(OMIT)= 80 C= 90

SPECIFICATIONS:

ITEM	SPECIFICATION	LESKTA0727	LESKTA0727C	LESKTA0730	LESKTA0730C
		DETAILS			
GENERAL PERFORMANCE	Power Consumption (W)	7	7	7	7
	Lumens Delivered (lm)	500	455	500	455
	Efficacy (lm/W)	71	65	71	65
	CRI	80	90	80	90
	Color Temperature	2700K	2700K	3000K	3000K
	Beam Angle	214°			
	Color Consistency	Proprietary binning for uniform color			
	L70 Lifetime (hours)	50,000			
ELECTRICAL	Power Factor	0.900			
	Input Voltage	120V			
PHYSICAL	Operating Temperature	0°-104°F			
CERTIFICATION	Certification	ULR, FCC, LM-79, LM-80			
	Material Usage	RoHS compliant; no mercury			
	Environment	Damp			
	Warranty	5 years			

ORDERING:

ORDER CODE	ITEM #	WATTAGE	EQUIVALENCY	OUTPUT (LUMENS)	EFFICACY (lm/W)	CRI	CCT
75431	LESKTA0727	7W	40W Inc.	500	71	80	2700K
75473	LESKTA0730	7W	40W Inc.	500	71	80	3000K
75504	LESKTA0727C	7W	40W Inc.	455	65	90	2700K
76417	LESKTA0730C	7W	40W Inc.	455	65	90	3000K