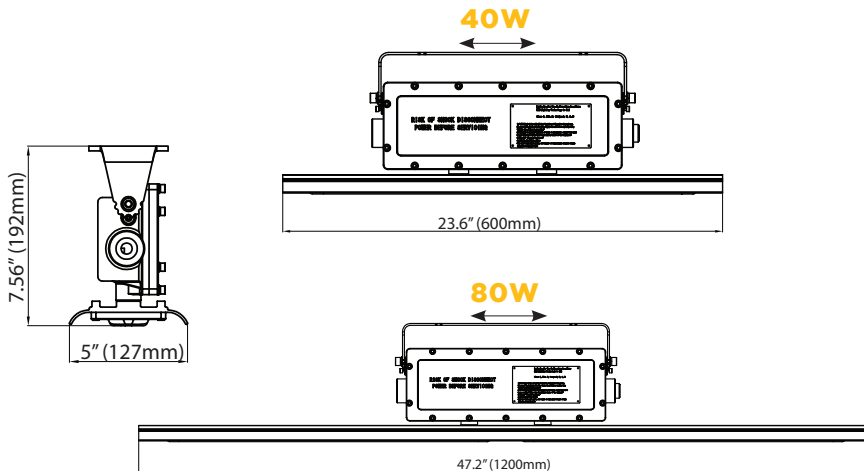


# LINEAR CLASS I DIVISION 2 | HL-LI SERIES



The **HL-LI SERIES** is a linear LED luminaire engineered to stand up to the toughest operating conditions in **Class I Division 2** environments such as petroleum refineries and grain processing facilities. A slim and lightweight profile and variety of mounting options enable this long-lasting, high-performance fixture to address virtually any lighting need in **harsh and hazardous locations**.



\* Fixture comes standard with 3/4" NPT opening

### CLASSIFICATIONS & RATINGS:

- Class I, Division 2, Groups A, B, C, D
- Class II, Division 1, Groups E, F and G
- Marine Grade
- CSA C22.2, No. 137-M1981, No. 30-M1986, No. 25-1966, No. 250.0, No. 250.13
- See table on page 2

### ELECTRICAL:

- 5,200 lm to 10,400 lm
- 120-277V or 347-480V options available
- Power Factor: > 0.90

### CONSTRUCTION:

- Die cast AA6063 aluminum housing
- Stainless steel hardware
- LEXAN LUX7630C Polycarbonate lens
- Polyester powder coat finish

### MOUNTING OPTIONS:

- Ceiling Mount
- 3/4" NPT Pendant Mount
- Pipe Mount
- Hanging Chain Mount
- See page 3 for mounting images

### APPLICATIONS:

- Mining Sites/Heavy Industries
- Storage Facility/Paper Mills
- Wastewater Treatment Plants
- Loading Docks/Platforms/Shipyards
- Chemical Processing Facility
- Petrochemical Processing Facility

### WARRANTY:

5-year standard warranty\* (further details available at [www.maxlite.com/warranties](http://www.maxlite.com/warranties))

\*Product may be eligible for a warranty extension to 10 years, for an additional fee. Contact MaxLite for details.

MODEL SELECTION		Typical order example: HL-LI2440U			
FAMILY	-	SUB FAMILY	LENGTH	NOMINAL WATTAGE	VOLTAGE
HL= Hazardous Location	-	LI= Linear, Gray finish	24= 2-foot	40= 40W, 5000K, Wide (110°)	U= 120-277V
			48= 4-foot	80= 80W, 5000K, Wide (110°)	H= 200-480V

# LINEAR CLASS I DIVISION 2 | HL-LI SERIES

**SPECIFICATIONS:**

SPECIFICATIONS:		HL-LI2440	HL-LI4880
ITEM	SPECIFICATION	DETAILS	
<b>GENERAL PERFORMANCE</b>	Input Power (W)	40W	80W
	Lumens Delivered (lm)	5,480	10,960
	Efficacy (lm/W)	130	
	CRI	> 70	
	Lumen Maintenance (L70, TM-21 @ 25°C)	>100,000	
	Color Temperature	5000K standard, custom CCTs available	
	Spacing Criteria	Available upon request	
<b>ELECTRICAL</b>	Power Factor	>0.95	
	Input Voltage	120-277V standard, 200-480V available	
<b>PHYSICAL</b>	Housing	Die cast AA6063 aluminum housing	
	Lens	LEXAN LUX7630C Polycarbonate lens	
	Weight	11.0 lbs (5.0 kg)	15.2 lbs (6.9 kg)
	Dimensions	23.6" x 5.0" x 7.6"	47.2" x 5.0" x 7.6"
	Humidity	5% - 95% RH, non-condensing	
	Operating Temperature	-40°C - 50°C (-40°F - 122°F)	
	Temperature Rating	T3C Rating	
<b>CERTIFICATION</b>	Certification	DLC Standard, UL844, UL 8750, UL1598A, FCC, LM79, LM80	
	Environment	IP66	
	Material Usage	RoHS compliant; no mercury	
	Warranty	5-year standard warranty*	

**MOUNTING OPTIONS:**

Hardware required to alter the standard mounting option into other variations is not provided by Maxlite



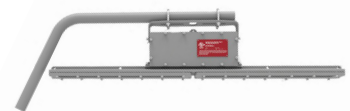
Pendant Mount



Ceiling Mount



Hanging Chain Mount



Pipe Mount

ACCESSORY			
ORDER CODE	ITEM #	DESCRIPTION	IMAGE
14100360	HLLIRB	2nd retention point bracket, qty 2	
102934	HLSC250	Rig-a-lite 10128R lighting fixture safety cable, 4' long, 250 lbs rating	