

## LED VAPORPROOF JELLY JAR JJ SERIES



Ceiling Mount



Wall Mount



Shown with short globe accessory, clear



### PRODUCT DESCRIPTION:

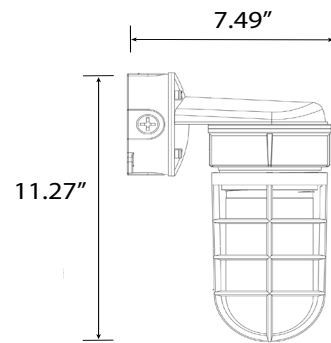
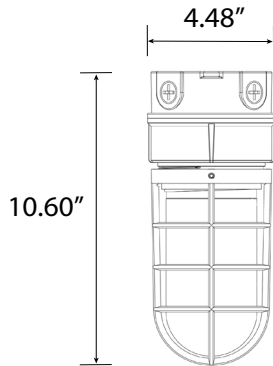
The luminaires are built for use in harsh environments, with a wide operating temperature range and integral surge protection. They are wet listed. Constructed with a tempered frosted glass lens and aluminum wire guard, the Jelly Jars provide ease of maintenance for the fixtures they replace.

### FEATURES:

- Simple installation for reduced replacement, maintenance
- Integral 6kV surge protection
- Cast-Aluminum Housing
- Operating Temperature: -40°F - 104°F
- Rated for 50,000 hour L70 Lifetime @TM-21 standards, 25°C
- Warranty: 5 Years

### CONSTRUCTION:

- Sealed gasket protects against moisture and dust



#### MODEL SELECTION

JJ				
FAMILY	MOUNTING	WATTAGE	VOLTAGE	LED MODULE
JJ= Vaporproof Jelly Jar	W= Wall Mount, Gray C= Ceiling/ Pendant Mount, Gray	14 <sup>1</sup> = 14W	1 = 120V	30= 3000K 50= 5000K
		23 <sup>2</sup> = 23W	U = 120-277V	

1= Energy Star Models  
2= DLC Listed Models

**ACCESSORIES:**

ORDER CODE	MODEL NUMBER	DESCRIPTION
14100461	JJSCLEAR	14W - 23W JELLY JAR, CLEAR FROSTED PC LENS, SHORT, SET OF 2
103079	JJSAMBER	14W - 23W JELLY JAR, AMBER FROSTED PC LENS, SHORT, SET OF 2
14100462	JJSBLUE	14W - 23W JELLY JAR, BLUE FROSTED PC LENS, SHORT, SET OF 2
14100463	JJSRED	14W - 23W JELLY JAR, RED FROSTED PC LENS, SHORT, SET OF 2
103080	JJLAMBER	14W - 23W JELLY JAR, AMBER FROSTED PC LENS, LONG, SET OF 2
14100466	JJLBLUE	14W - 23W JELLY JAR, BLUE FROSTED PC LENS, LONG, SET OF 2
14100467	JJLRED	14W - 23W JELLY JAR, RED FROSTED PC LENS, LONG, SET OF 2

**SPECIFICATIONS:**

ITEM	SPECIFICATION	DETAILS	
		JJX14	JJX23
<b>GENERAL PERFORMANCE</b>	Input Wattage (W)	14.5	24
	CCT	3000K/ 5000K	
	CRI	80	70
	Lumens Output (lm)	1031/ 1129	2111/ 2106
	Efficacy (lm/W)	72/81	91/96
	Operating Temperature	-40°F to 104° F	
<b>APPLICATION</b>	Certification	Energy Star	DLC
	Environment	IP65, Wet locations	
	Warranty	5 Years	

**LAYOUT:**

Each gridline represents one mounting height.

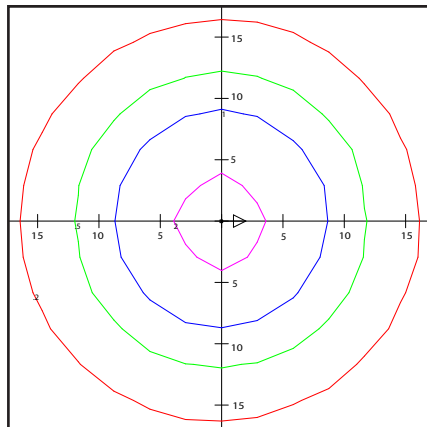
For mounting heights other than noted multiply FC by the below factor.

Factor=  $\frac{(\text{Chart's Mtg Height})^2}{(\text{Actual Mtg Height})^2}$

**LEGEND**

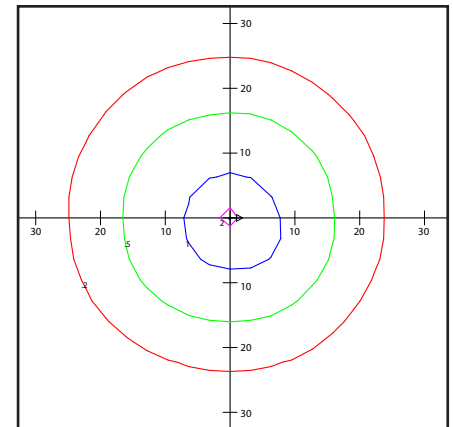
- 0.2 FC
- 0.5 FC
- 1 FC
- 2 FC

**14 WATT**



Mounting height= 8'

**23 WATT**



Mounting height= 15'