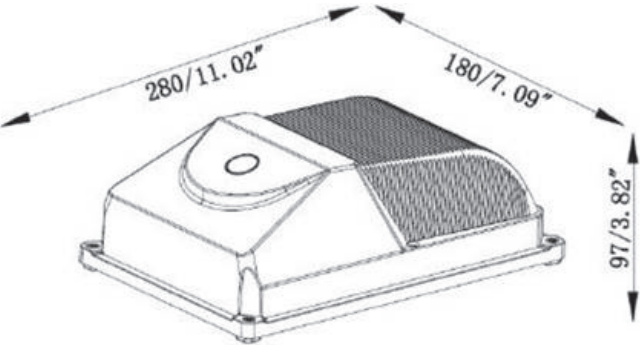


GUARDMAX ENTRY WALL PACK
SEC SERIES



PRODUCT DESCRIPTION:

MaxLite's 15-watt GuardMax Entry Wall Pack with dusk-to-dawn photocell provides optimal illumination for outdoor commercial and industrial environments. Available in an architectural bronze or white finish, the fixture saves up to 81% of the energy consumed by incumbent lamps, and is backed by MaxLite's five-year limited warranty.

FEATURES:

- Replaces up to 70-watt high-pressure sodium
- Impact resistance polycarbonate lens and cover with tamper resistant screws
- 120V-277V photocontrol with removable cap
- Mounts to recessed junction box or directly to a wall
- 1/2" threaded conduit hole on the bottom to accommodate surface conduit wiring
- 10kV surge protector included
- IP65 and wet location listed

CONTROLS:

120V-277V Photocontrol:

Photocontrol powers the fixture when light levels reach 20 lux or below, and turn it off at 30 lux or higher. The operating temperature of the photocontrols are -30°F-120°F. Photocell mounted internally, with a large disposable cap providing an option to engage or not engage the photocontrol.

WARRANTY:

5-year standard warranty* (further details available at www.maxlite.com/warranties)

*Product may be eligible for a warranty extension to 10 years, for an additional fee. Contact MaxLite for details.

MODEL SELECTION (Full list of order codes on pg. 2)		Typical order example: SEC15U50BPC		
SEC	15U		B	PC
FAMILY	NOMINAL WATTAGE, EQUIVALENCY	CCT	FINISH	PHOTOCONTROL
SEC= Security Light	15U= 15W, 70W High Pressure Sodium equivalent	40= 4000K 50= 5000K	B= Bronze ² <i>Contact Maxlite for additional finishes</i>	PC= 120V-277V photocontrol ¹

Notes:
1) Includes a disposable cap providing an option to engage or not engage the photocontrol
2) See accessories table on page 2 for white finish option


SPECIFICATIONS:

ITEM	SPECIFICATION	SEC15U40BPC	SEC15U50BPC
		DETAILS	
GENERAL PERFORMANCE	Lumens Delivered (lm)	1,850 lm	1,920 lm
	Efficacy (lm/W)	124 lm/W	128 lm/W
	CCT	4000K	5000K
	Lumen Maintenance (L70, TM-21 @ 25°C)	120,000 hours	
	Color Rendering Index (CRI)	> 80	
ELECTRICAL	Input Voltage (V)	120V-277V, 50-60HZ	
	Power Factor	> 0.90	
	Input Power (W)	15	
PHYSICAL	Mounting	Can be mounted to recessed outlet box or directly to walls, cover uses T20 Torx head screws	
	Operating Temperature	-4°F to 104°F	
	Lens	Impact- and UV-resistant polycarbonate	
	Housing	Die cast aluminum back plate and polycarbonate cover	
APPLICATION	Certification	DLC Premium, cETLus, FCC	
	Environment	Outdoor wet locations, IP65	
	Warranty	5-year standard warranty*	

ORDERING*:

ORDER CODE	MODEL	OPTIONS	VOLTAGE (V)	NOMINAL POWER (WATTS)	CCT	FINISH
101552	SEC15U50BPC	Photocontrol	120-227	15	5000K	Bronze
101550	SEC15U40BPC	Photocontrol	120-277	15	4000K	Bronze

*Please contact your MaxLite representative to order products that don't have order codes listed here.

ACCESSORIES			
ORDER CODE	MODEL NUMBER	DESCRIPTION	IMAGE
101979	SEC15-W	White polycarbonate cover used to replace bronze cover on standard version.	

CONSTRUCTION:

FIXTURE: The heavy duty die-cast, powder-coat aluminum base, with a one-piece injection molded polycarbonate prismatic lens/housing for a seamless vandal resistant cover. The fixture is gasketed and assembled with six tamper resistant screws to produce a sealed IP65 fixture that is free of water, dirt and insects.

LENS: Impact resistant Polycarbonate lens with UV stabilizers

LED DRIVER: Self contained driver 120V-277V 50/60Hz. Separate 10KV surge protector included.

FINISH: The bronze base is powder-coat painted, and the housing is masked and painted bronze to match the base. White cover also available.

INSTALLATION: Can mount to recessed J-box or directly to the wall. Cover uses T20 Torx head screws.