

PATHMAX™ LED BOLLARDS
CLASSIC SERIES DOME TOP



Shown with louvers



Shown with cone reflector



Shown with glare shield



PRODUCT DESCRIPTION:

The round Classic LED Bollard is an economical and energy efficient choice for lighting walkways, plazas and other pedestrian areas in commercial and residential applications.

FEATURES:

- 120-277V with dimming capability
- Dimming driver standard
- CRI ≥80
- 10 year warranty
- Up to 50,000 hour L70 lifetime, TM-21 standards @ 25°C

CONSTRUCTION:

- Extruded Aluminum housing
- Clear Polycarbonate lens
- An optional GFCI can be installed and centered 12" from the top of the shaft

ENVIRONMENT:

- CSA Group for wet locations
- IP65 rated Optical system

INSTALLATION:

- Flush Mounting Base with Vandal Resistant Screws
- Installation Kit with 8" Anchor Bolts Included

WARRANTY:

10-year standard warranty with labor allowance* (further details available at www.maxlite.com/warranties)
*Warranty Limitations: Product must be rated for the application per the Product Data Sheet (PDS); operated ≤ 16 hrs; in ambient of -29°F to 104°F.

*Up to \$25/unit; labor allowances of up to \$500/unit available for purchase – contact MaxLite representative for details.

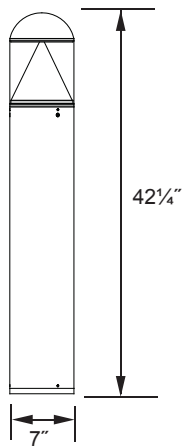
| MODEL SELECTION | | | Typical order example: BL-CLR2D18U-40B | | | | | | | | |
|-----------------|---|---|--|---------|-------------|---|---|---|----------------------------|------------------------------------|---|
| BL | - | | RD | | U | - | | B | | | |
| FAMILY | - | SUB FAMILY | SHAPE | WATTAGE | VOLTAGE | - | LED MODULE | FINISH | DISTRIBUTION | HEIGHT | OPTIONS |
| BL= Bollards | - | CL2= Classic Series, DLC Premium Listed | RD= Round | 18= 18W | U= 120-277V | - | 30= 3000K, 80 CRI 40= 4000K, 80 CRI 50= 5000K, 80 CRI | B= Bronze <i>Contact MaxLite for additional finishes</i> | (Blank)= Wide Beam | (Blank)= 42" | (Blank)= None |
| | | CL= Classic Series, BAA compliant | | 17= 17W | | | | | (Blank)= Wide Beam | (Blank)= 42" 36= 36" 30= 30" | GF= GFCI Outlet, 15A, 120V GS= 180° <i>Contact MaxLite for custom lengths</i> |
| | | | | | | | | | T3= Type 3, Cone Reflector | | |
| | | | | | | | | | LR= Louver | | |

SPECIFICATIONS:

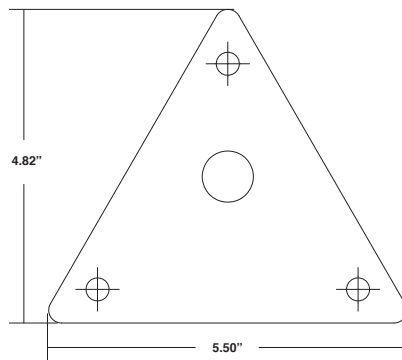
| ITEM | SPECIFICATION | DETAILS | | |
|----------------------------|---------------------------------------|---|--------------------------------------|-------------------|
| | | BL-CL2RD18U-XXX | BL-CLRD17U-XXXT3 | BL-CLRD17U-XXXBLR |
| GENERAL PERFORMANCE | Input Power (W) | 18 | 17 | 17 |
| | Lumens Delivered (lm) | 2200 | 918-1,081 | 675-763 |
| | Efficacy (lm/W) | 118 | up to 64 | up to 45 |
| | CRI | 84 | 80 | |
| | Lumen Maintenance (L70, TM-21 @ 25°C) | >50,000 hours | | |
| | Surge Protection | 10kV | 2kV | |
| | BUG | B1-U3-G1 | B0-U2-G1 / B0-U3-G1 (5000K only) | B1-U2-G1 |
| ELECTRICAL | Input Voltage | 120-277V | | |
| | Power Factor | ≥90% | | |
| PHYSICAL | Housing | Aluminum | | |
| | Mounting | Flush mounting base; anchor bolts for mounting included | | |
| CERTIFICATION | Certification | cULus, IP65, DLC Premium | cCSAus, IP65, BAA compliant | |
| | Environment | Outdoor, wet location | | |
| | Warranty | 10 year warranty* | | |
| | Operating Temperature | -40°F - 104°F (-40°C - 40°C) | | |

Lighting layouts and spacing criteria available upon request.

DIMENSIONAL DRAWING:



BL-CL2 MOUNTING BASE:



BL-CL MOUNTING BASE:

