

**LED 9" COMMERCIAL RECESSED  
RETROFIT DOWNLIGHT**  
RR9 SERIES



Scan the QR code with a smartphone to view the installation video or visit the following link: <http://bit.ly/ledcdr>

**PRODUCT DESCRIPTION:**

The commercial-grade LED Recessed Downlight Retrofit is supplied with a quick connect-case and conduit to make an easy connection to an existing recessed fixture frame junction box.

**FEATURES:**

- Universal voltage (120-277)
- Mounts into existing recessed frame
- Supplied with optional retaining clips if existing frame does not have adequate friction springs to secure reflector
- cETL listed for damp location use
- CRI: > 80
- PF: >.9
- A wide variety of CCTs available: 3000K and 4000K come standard; 2700K and 5000K by special order
- 10 year warranty
- Dimmable to 5% (120v only)

**CONSTRUCTION:**

- Supplied with a heavy gauge anodized aluminum reflector in a haze finish
- External driver for easy retrofit and maintenance
- Power supply features integral thermal protection
- Optional extended trim rings available to conceal imperfections in drywall openings

**WARRANTY:**

10-year standard warranty with labor allowance\*

(further details available at [www.maxlite.com/warranties](http://www.maxlite.com/warranties))

\*Warranty Limitations: Product must be rated for the application per the Product Data Sheet (PDS); operated ≤ 16 hrs; in ambient of -29F to 104F.

\*Up to \$25/unit; labor allowances of up to \$500/unit available for purchase – contact MaxLite representative for details.

| MODEL SELECTION (Full list of order codes on pg. 2) |       | Typical order example: RR82330W |                        |          |      |
|---|-------|---------------------------------|------------------------|----------|------|
| RR  | 9     |                                 |                        | W        | /V2* |
| FAMILY  | SIZE  | WATTAGE (NOMINAL)               | CCT                    | TRIM     |      |
| RR= Commercial Recessed Retrofit Downlight          | 9= 9" | 15= 15W<br>23= 23W<br>30= 30W   | 30= 3000K<br>40= 4000K | W= White | /V2* |

\*V2 only pertains to the 15W product

**COMPATIBLE DIMMERS:**

| ACCESSORIES |              |                    |   |
|-------------|--------------|--------------------|---|
| ORDER CODE  | MODEL NUMBER | DESCRIPTION        | ACCESSORIES IMAGE   |
| 73494       | RR9-XWHTRING | 9" White trim ring |  |

| MAKE    | DIMMER MODEL |
|---------|--------------|
| Lutron  | CTCL-153PD*  |
| Lutron  | DVCL-153PL*  |
| Lutron  | CTELV-303P   |
| Lutron  | LGCL-153PL*  |
| Leviton | IPI10        |

\* Dimming control should be adjusted to 5% minimum light output level in order to avoid flickering. Please consult dimming control Instruction manual for specific procedure.

**SPECIFICATIONS:**

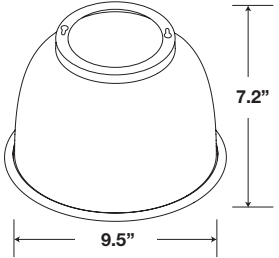
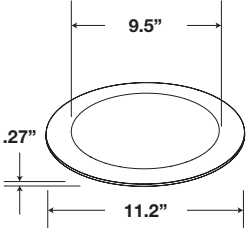
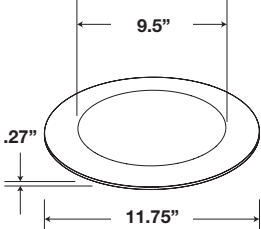
| ITEM                | SPECIFICATION         | RR91530W/V2  | RR91540W/V2 | RR92330W | RR92340W | RR93030W | RR93040W |
|---------------------|-----------------------|--|-------------|----------|----------|----------|----------|
|                     |                       | DETAILS  |             |          |          |          |          |
| GENERAL PERFORMANCE | Power Consumption (W) | 14.0   | 14.0        | 23.0     | 23.0     | 30.0     | 30.0     |
|                     | Lumens Delivered (lm) | 910  | 930         | 1710     | 1770     | 2265     | 2565     |
|                     | Efficacy (lm/W)       | 65   | 66          | 74       | 77       | 76       | 86       |
|                     | Color Temperature     | 3000K  | 4000K       | 3000K    | 4000K    | 3000K    | 4000K    |
|                     | L70 Lifetime (hours)  | 50,000   |             |          |          |          |          |
|                     | CRI                   | > 80   |             |          |          |          |          |
|                     | Color Consistency     | Proprietary binning for uniform color  |             |          |          |          |          |
| ELECTRICAL          | Power Factor          | .90  |             |          |          |          |          |
|                     | Input Voltage         | 120-277V standard  |             |          |          |          |          |
|                     | Compatible Dimmers    | Lutron CTCL-153PD, DVCL-153PL, CTELV-303P, DVELV-303P, LGCL-153PL; Leviton IPI10 |             |          |          |          |          |
| PHYSICAL            | Weight                | 2.6 lbs  |             |          |          |          |          |
|                     | Mounting              | Mounts into existing recessed frame  |             |          |          |          |          |
|                     | Operating Temperature | 0° – 104° F  |             |          |          |          |          |
|                     | Humidity              | 20% - 85% RH, non-condensing   |             |          |          |          |          |
| CERTIFICATION       | Certification         | Energy Star, FCC, LM-79, LM-80, ETL  |             |          |          |          |          |
|                     | Material Usage        | RoHS compliant; no mercury   |             |          |          |          |          |
|                     | Environment           | Indoor   |             |          |          |          |          |
|                     | Warranty              | 10 year warranty   |             |          |          |          |          |

**ORDERING\*:**

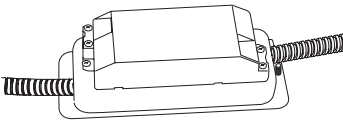
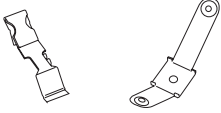
| ORDER CODE | MODEL       | WATTAGE | CCT   | VOLTAGE  |
|------------|-------------|---------|-------|----------|
| 101652     | RR91530W/V2 | 15      | 3000K | 120-277V |
| 101653     | RR91540W/V2 | 15      | 4000K |          |
| 74198      | RR92330W    | 23      | 3000K |          |
| 74199      | RR92340W    | 23      | 4000K |          |
| 74200      | RR93030W    | 30      | 3000K |          |
| 74201      | RR93040W    | 30      | 4000K |          |

\*Please contact your MaxLite representative to order products that don't have order codes listed here.

**PRODUCT FEATURES:**

| REFLECTOR   | STANDARD TRIM RING  | OPTIONAL EXTENDED TRIM RING   |
|---|---|---|
|  |  | <p>SOLD SEPARATELY</p>  |

**PRODUCT FEATURES**

| EXTERNAL DRIVER   | RETAINING CLIPS  |
|---|--|
|  |  <p>Retaining clips are supplied for situations where the existing recessed frame does not have pre-installed clips to secure the reflector.</p> |

