

LED 4" COMMERCIAL RECESSED RETROFIT DOWNLIGHT

RR4 SERIES



PRODUCT DESCRIPTION:

The commercial-grade LED Recessed Downlight Retrofit is supplied with a quick connect-case and conduit to make an easy connection to an existing recessed fixture frame junction box.

FEATURES:

- Universal voltage (120-277)
- Mounts into existing recessed frame
- Supplied with optional retaining clips if existing frame does not have adequate friction springs to secure reflector
- cETL listed for damp location use
- CRI: > 80
- PF: >.9
- A wide variety of CCTs available: 3000K and 4000K come standard; 2700K and 5000K by special order
- Five year limited warranty
- Dimmable to 5% (120v only)

CONSTRUCTION:

- Supplied with a heavy gauge anodized aluminum reflector in a haze finish
- External driver for easy retrofit and maintenance
- Power supply features integral thermal protection



Scan the QR code with a smartphone to view the installation video or visit the following link: <http://bit.ly/ledcrdr>

MODEL SELECTION (Full list of order codes on pg. 2)

Typical order example: RR42330W

RR	4			W	V2*
FAMILY	SIZE	WATTAGE (NOMINAL)	CCT	TRIM	
RR= Commercial Recessed Retrofit Downlight	4= 4"	15= 15W 23= 23W	27= 2700K 30= 3000K 40= 4000K	W= White	V2*

*V2 only pertains to the 15W product

ACCESSORIES			
ORDER CODE	MODEL NUMBER	DESCRIPTION	ACCESSORIES IMAGE
74086	RR4-BNRING	4" Brushed nickel trim ring	

COMPATIBLE DIMMERS:

MAKE	DIMMER MODEL
Lutron	CTCL-153PD*
Lutron	DVCL-153PL*
Lutron	CTELV-303P
Lutron	LGCL-153PL*
Leviton	IPI10

* Dimming control should be adjusted to 5% minimum light output level in order to avoid flickering. Please consult dimming control Instruction manual for specific procedure.

SPECIFICATIONS:

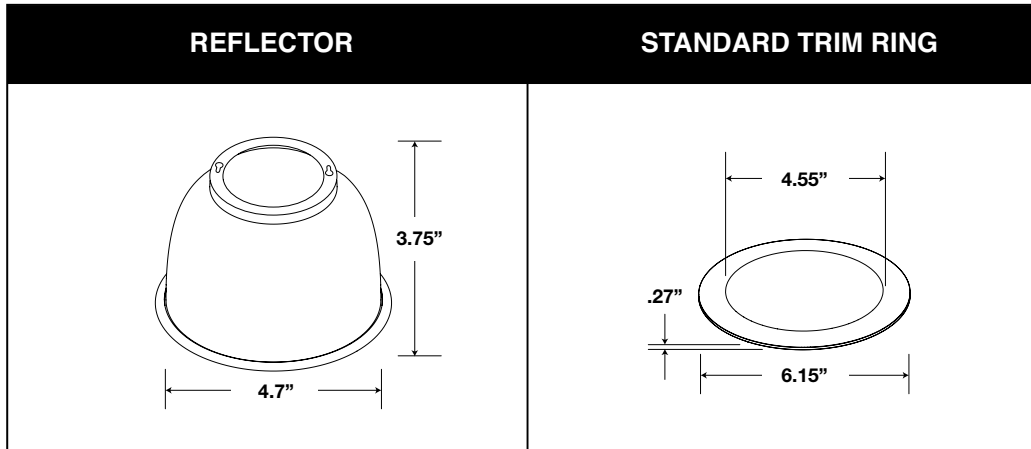
ITEM	SPECIFICATION	RR41527W/V2	RR41530W/V2	RR41540W/V2	RR42330W	RR42340W
		DETAILS			DETAILS	
GENERAL PERFORMANCE	Power Consumption (W)	14.0	14.0	14.0	23.0	23.0
	Lumens Delivered (lm)	750	785	810	1635	1695
	Efficacy (lm/W)	55	58	58	71	74
	Color Temperature	2700K	3000K	4000K	3000K	4000K
	L70 Lifetime (hours)	50,000				
	Color Consistency	Proprietary binning for uniform color				
	CRI	> 80				
ELECTRICAL	Power Factor	.90				
	Input Voltage	120-277V standard				
	Compatible Dimmers	Lutron CTCL-153PD, DVCL-153PL, CTELV-303P, DVELV-303P, LGCL-153PL; Leviton IPI10				
PHYSICAL	Weight	2 lbs				
	Mounting	Mounts into existing recessed frame				
	Operating Temperature	0° – 104° F				
	Humidity	20% - 85% RH, non-condensing				
CERTIFICATION	Certification	Energy Star, FCC, LM-79, LM-80, ETL				
	Material Usage	RoHS compliant; no mercury				
	Environment	Indoor				
	Warranty	5 years				

ORDERING*:

ORDER CODE	MODEL	WATTAGE	CCT	VOLTAGE
101672	RR41527W/V2	15	2700K	120-277V
101643	RR41530W/V2	15	3000K	
101644	RR41540W/V2	15	4000K	
74202	RR42330W	23	3000K	
74203	RR42340W	23	4000K	

*Please contact your MaxLite representative to order products that don't have order codes listed here.

PRODUCT FEATURES:



PRODUCT FEATURES

