

LED HIGH BAY DIRECTFIT
MHD Series



PRODUCT DESCRIPTION:

The LED High Bay DirectFit Lamp is the plug-and-play replacement for high output metal halide bulbs in non-enclosed high bay fixtures. The lamp screws directly into Mogul-based sockets and operates off existing CWA ballasts – no rewiring or extra labor required! The DirectFit lamp delivers high quality light using 66%-75% less energy than the 750W and 1000W metal halide bulbs it replaces.

FEATURES:

- 250W- replaces 1,000W MH
- Vertical Mogul sockets
- E39, EX39, E40 lamp base
- 5 year standard warranty
- 60,000 hours L70 rated lamp life
- 5000K CCT
- Not for use in totally enclosed luminaires

CONSTRUCTION:

- 3.7 lbs

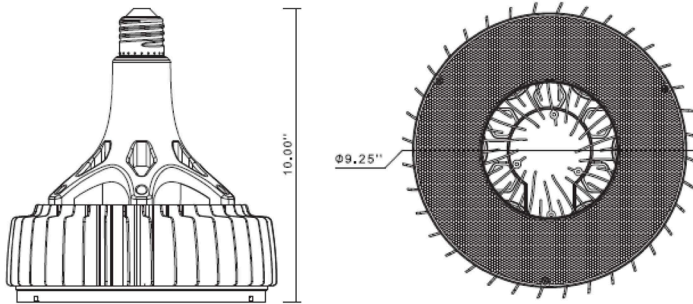
APPLICATION:

- Sawmills
- Refineries
- Aerospace
- Convention Centers
- Sports Arena

WARRANTY:

5-year standard warranty
(further details available at www.maxlite.com/warranties)
Product may be eligible for a warranty extension to 10 years, for an additional fee. Contact MaxLite for details.

PRODUCT DIMENSIONS:



MODEL SELECTION (Full list of order codes on pg. 2)		Typical order example: 250MH750	
250	MH	750	
WATTAGE	FAMILY	CRI & CCT	
250= WATTAGE	MH= METAL HALIDE RETROFIT	750= CRI70, 5000K	

SPECIFICATIONS:

		250MH750
GENERAL PERFORMANCE	Lumens Delivered (lm)	37,000
	Efficacy (lm/W)	148
	Color Temperature	5000K
	Input Power (W)	250
	CRI	≥70
	Lumen Maintenance (L70, TM-21 @ 25°C)	60,000
ELECTRICAL	Input Voltage	120-277V standard
CERTIFICATION	Material Usage	RoHS compliant; no mercury
	Environment	Indoor, Dry Location
	Certification	cULus Listed
	Warranty	5year standard warranty
	Operating Temperature	-4°F - 131°F
	Humidity	15%-85% RH, non condensing

ORDERING*:

ORDER CODE	MODEL	VOLTAGE	WATTAGE	CCT
14101700	250MH750	120-277V	250	5000K

		1000W
PRODUCT		250MH750
TOTAL LUMENS		37,000
LAMP WATTS		250W
LM/WT		148 lm/W