

LED STRIP RETROFIT KIT RS SERIES



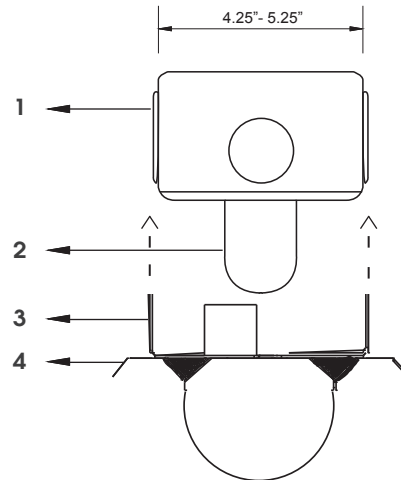
PRODUCT DESCRIPTION:

Retrofits existing 4' and 8' fluorescent strips and Industrial fixtures to LED in as little as one minute. Industry's fastest LED strip retrofit kit. The universal design fits most 4.25" and 5.25" T8/T12 fluorescent wide strips.

FEATURES:

- 2 of the 4' units combine with a simple bracket provided to make 8' units to retrofit 8' T8 fluorescent fixtures.
- Driver operates with steady performance and long lifetime
- Driver efficiency >85%.
- CRI >80
- L70 lumen maintenance of 50,000 hours
- 5 year limited warranty
- 0-10v dimming standard, product dimmable down to 10%
- 35W DLC Premium Listed
- Universal 120-277V
- Suitable for Damp locations

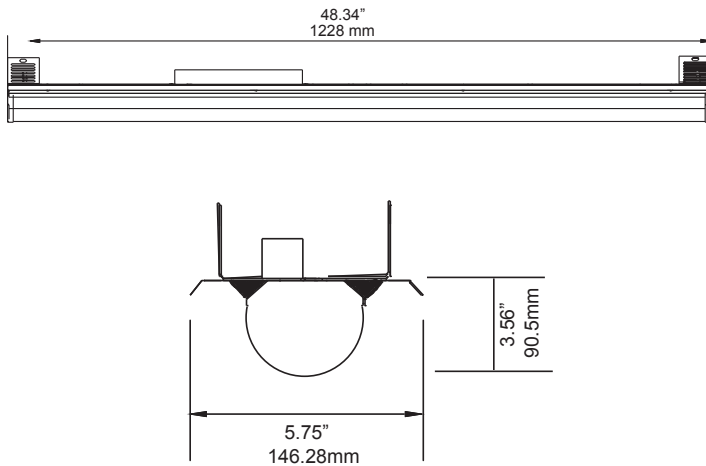
MOUNTING DIMENSIONS:



NOTES:

1. Existing housing (not provided)
2. Existing sockets to be removed
3. Adjustable brackets form the retrofit kit. Fits over existing pan
4. Lensed retrofit snaps in place

PRODUCT DIMENSIONS:



MODEL SELECTION (Full list of order codes on pg. 2)		Typical order example: RS-4824U-50		
FAMILY	SIZE	WATTAGE (NOMINAL)	VOLTAGE	CCT
RS= Retrofit Strip	48= 4ft	24= 24W 35= 35W ² 36= 36W	U= 120-277V	40= 4000K 50= 5000K

NOTES:

1. For other CCT's please contact your MaxLite representative
2. 35W is DLC Premium

SPECIFICATIONS:

		RS-4824U-50	RS-4835U-40	RS-4835U-50	RS-4836U-40
ITEM	SPECIFICATION	DETAILS			
GENERAL PERFORMANCE	Power Consumption (W)	22.2	32.9	35.0	33.3
	Lumens Delivered (lm)	2,650	4,500	4,620	4,030
	Efficacy (lm/W)	119	134	132	121
	CRI	≥80			
	Color Temperature (K)	5000K	4000K	5000K	4000K
	L70 Lifetime (hours)	50,000			
	Color Consistency	Proprietary binning for uniform color			
ELECTRICAL	Power Factor	0.9			
	Input Voltage	120-277V			
	Dimming	0-10V			
PHYSICAL	Mounting	Retrofits into current linear fixtures			
	Operating Temperature	-20°C to 40°C			
	Humidity	20-85% RH, non-condensing			
QUALIFICATION	Qualifications	cULus, FCC, DLC 4.1 Premium*, DLC 4.1 Standard, Lighting Facts			
	Material Usage	RoHS compliant; no mercury			
	Environment	Indoor/Damp			
	Warranty	5 Years			

*35W models are DLC Premium

ORDERING*:

ORDER CODE	MODEL	WATTAGE	CCT
102378	RS-4824U-50	24W	5000K
1409688	RS-4835U-40	35W	4000K
1409412	RS-4835U-50	35W	5000K
1408928	RS-4836U-40	36W	4000K

*Please contact your MaxLite representative to order products that don't have order codes listed here.